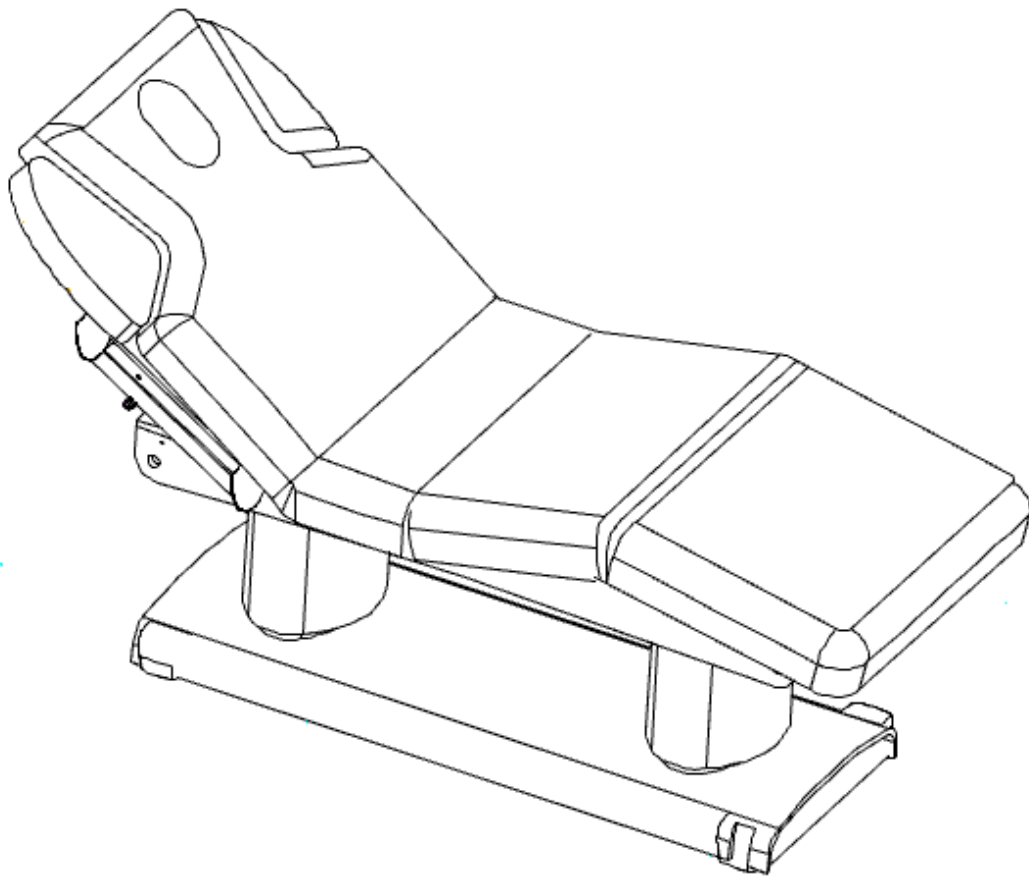


dermalogic

**BELVEDERE
SPA TREATMENT TABLE**



User Manual

HZH-FCCHR-3838

INTRODUCTION

Thank you for choosing Dermalogic BELVEDERE Spa Treatment Table. Dermalogic is an AYC's registered trademark for elegant and well-designed spa salon furnishings and appliances. We strive to bring quality, dependability and affordability when properly used.

PLEASE TAKE TIME TO READ THIS MANUAL THOROUGHLY BEFORE USE. If you have any questions or concerns with your spa treatment table, please contact our customer service and technical support at 972-926-6488 ext. 2, Monday through Friday 9AM – 5PM or email us at service@ayc LLC.com.

SHIPMENT INSPECTION

Thoroughly inspect each shipment immediately upon arrival. It is very important that you notify the driver directly and note any damage or irregularities on the delivery receipt. Failure to note damage on the delivery receipt may prevent any claims you may have against the carrier.

If concealed loss or damage is found, you MUST report it to AYC within 72 hours of delivery and DO NOT DISCARD THE SHIPPING CARTON. Failure to do so constitutes acceptance of the shipment as-is and in good order and, additionally, waives any right to collect possible compensation from shipping claims.

SPA TABLE ACCESSORIES

- Power Cord x 1
- Hand Controller x 1
- Removable Headrest x 1

NOTE: Please check all the accessories that are contained after unpacking

IMPORTANT INSTRUCTIONS

Please read the following instructions carefully before connecting, operating, or adjusting this electric spa treatment table. Retain this manual for future reference.

- **Safety First:**

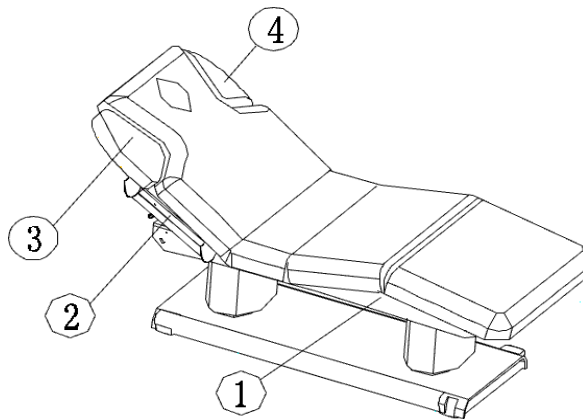
This electric spa treatment table is equipped with a three-wire power cable and must be connected to a three-hole outlet with a functioning ground electrode. Ensure proper grounding to prevent electric shock during use.

- **Avoid Water Contact:**

Do not allow any plugs, buttons, or components connected to the power cable to come into contact with water or other liquids.

- **Operation Precautions:**

When using the hand control to adjust the table's height or angles, do not place your hands, feet, head, or any other body parts into areas marked ①, ②, ③, and ④ in the figure below.



- **Damaged Components:**

Do not use the table if any plugs, buttons, or components connected to the power cable are damaged.

- **Motor Usage Guidelines:**

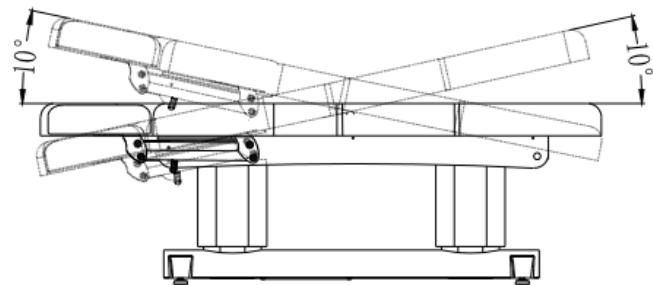
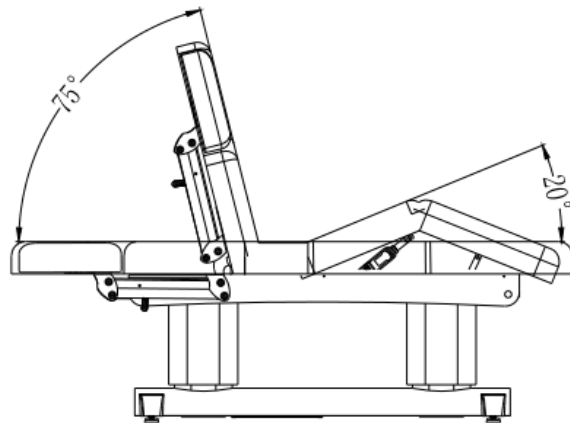
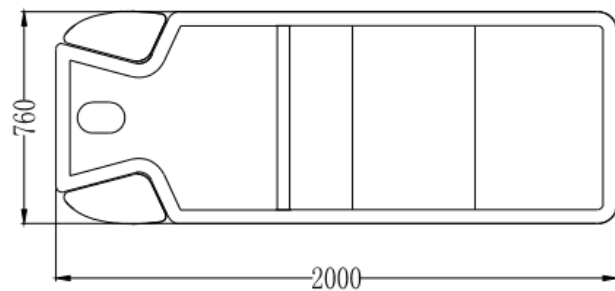
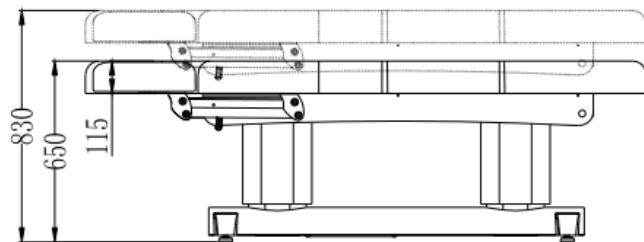
The motor should operate at a frequency of **6 minutes per hour**. Do not exceed this usage limit.

- **Professional Maintenance Required:**

Maintenance or repairs must be performed only by officially trained personnel.

SPECIFICATIONS

- Model: HZH-FCCHR-3838
- Dimensions: 2000×760×650mm
- Minimum Height: 650mm
- Maximum Height: 830mm
- N.W.: 103kg
- G.W.: 123kg
- Maximum loading: 200kg
- Padding: 8cm sponge
- Fabric: PU Leather
- Input voltage:
AC100~130V/220~240V, 50/60Hz
- Output voltage: DC 24V
- Rated power: 160W

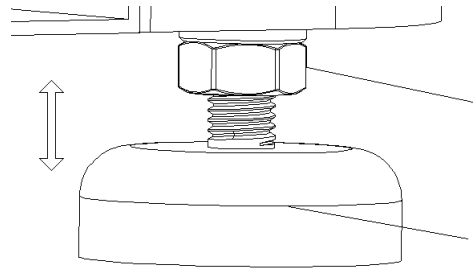


MANUAL ADJUSTMENT

Adjusting the Rubber Foot Height:

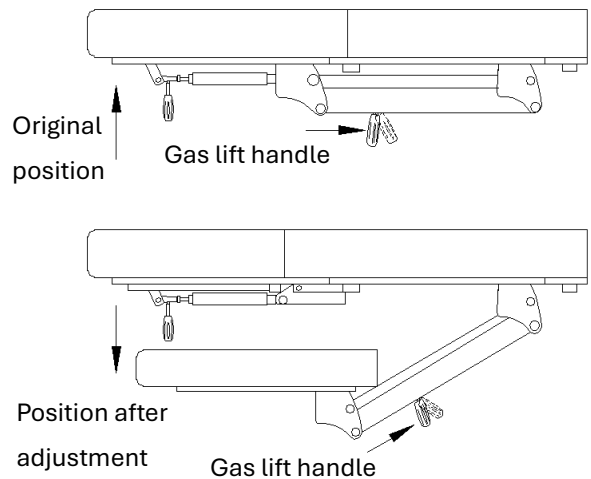
1. **Rotate to Adjust the Height:**
Turn the rubber foot to raise or lower it. This can help compensate for uneven ground.
2. **Fix the Height with the Nut:**
Once the desired height is achieved, twist the nut upward to secure the rubber foot in place.

Refer to the illustration on the right for guidance

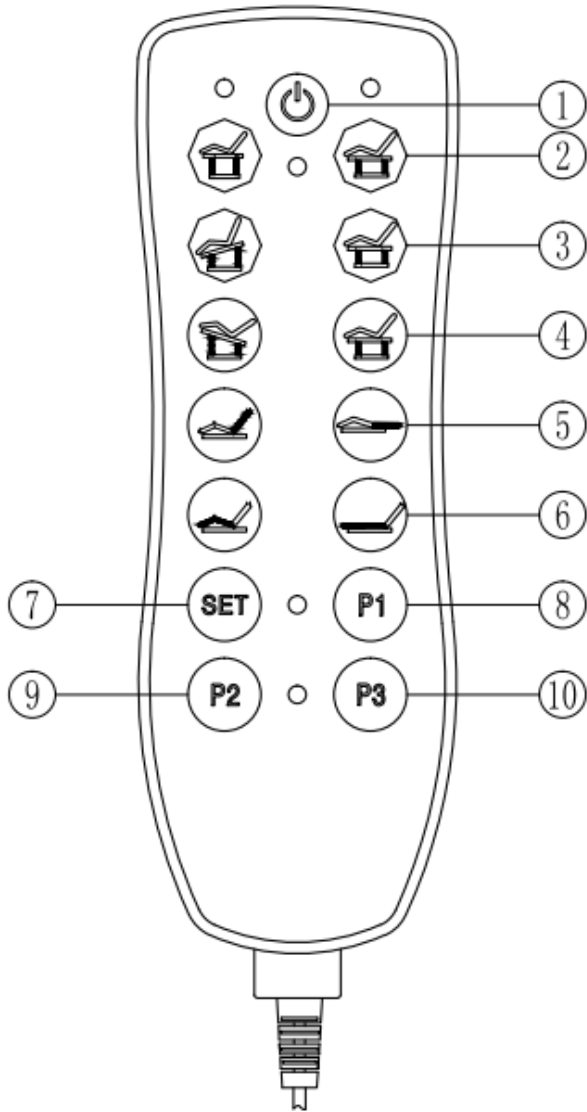


Adjusting the Armrest Angle:

1. **Locate the Gas Lift Control:** Find the lever or button marked with an arrow (usually beneath the armrest or on its side).
2. **Press the Gas Lift:** Push the gas lift in the direction indicated by the arrow and **do not release your hand** while making the adjustment.
3. **Adjust the Armrest:** While holding the gas lift down, gently press down on the armrest to change its angle to your desired position.
4. **Lock the Position:** Release the gas lift once the armrest is in the preferred position. If you do not hold the adjustment firmly, the armrest may automatically revert to its default position.



HAND CONTROL



- ① Press to turn on power
Press again to turn off power
- ② Press to adjust the table up
Press to adjust the table down
- ③ Press to adjust the table tilt forward
Press to adjust the table to a flat position
- ④ Press to adjust the table tilt backward
Press to adjust the table to a flat position
- ⑤ Press to adjust backrest up
Press to adjust backrest down
- ⑥ Press to Increased footrest angle
Press to decrease footrest angle

Memory Function (buttons 7-10): Adjust the table and backrest (using buttons 1-6) to your desired comfortable position.

- ⑦ Press until the blue light turns on to activate the memory function.
- ⑧ Press to save the current position into memory.
- ⑨ Press & to set multiple memory positions following the same process.

To recall a saved position, press the corresponding **Memory Recall button (P1/P2/P3)**. The table will automatically adjust to the saved position.

PRECAUTION

- Maintain a distance of at least 20 cm between the control box, hand control, and high-frequency equipment to avoid interference.
- Ensure power cables and plugs are intact before use. Any damage should be addressed by professionals or service providers.
- Verify that the voltage matches the specified safety voltage. Using incorrect voltage can cause product damage.
- When in use, the product may draw a current of 10A or more. Choose a power outlet capable of handling high current and, if possible, use a dedicated outlet to prevent power failure or fire hazards.
- Avoid handling the product with wet hands to prevent electric shock.
- Do not plug in the product before completing installation.
- Position power cables to prevent tripping hazards.
- Clean the product's surface with a soft towel and diluted neutral detergent.
- Unplug the product when not in use.
- Do not disassemble the product without manufacturer authorization.

HEALTH WARNING

Individuals with the following conditions should avoid spa treatment.

- Medical conditions, such as osteoporosis or heart-related issues.
- Pregnancy or menstruation.
- Injuries or disabilities.
- Unconsciousness or illness.
- Children under 14 years old without supervision.

If the client experiences any pain or discomfort, discontinue the spa treatment immediately.

TROUBLESHOOTING

If there is an issue with the product, please follow these steps to diagnose and resolve it:

Phenomenon	Diagnosis	Operation of Elimination
No response when pressing the button on the remote	<ul style="list-style-type: none">• The control button function has reached its maximum.• Power plug is not connected.• Transformer connection is loose.	<ul style="list-style-type: none">• Try pressing a different control button.• Disconnect and reconnect the power plug.• Open the chassis, disconnect, and reconnect the plug.
Noises and shaking while going up and down	Screw is loose.	Tighten all screws.
The light remains off even though the switch is on	The fuse has burned out.	Replace the fuse.

MAINTENANCE

- Perform daily cleaning by wiping dust with a soft, dry towel.
- Remove heavy dirt using a soft towel with diluted neutral detergent, followed by scrubbing with a dry towel.
- Avoid using benzene, diluent, gasoline, or other solvents, as they may damage the leather or corrode the product's appearance.
- Do not expose the product to strong sunlight or a moist environment, as this may cause damage.
- Use the product within the temperature range of -5°C to 50°C and humidity levels of 45% to 85%.



www.aycllc.com

sales@aycllc.com

972-926-6488

Garland, TX