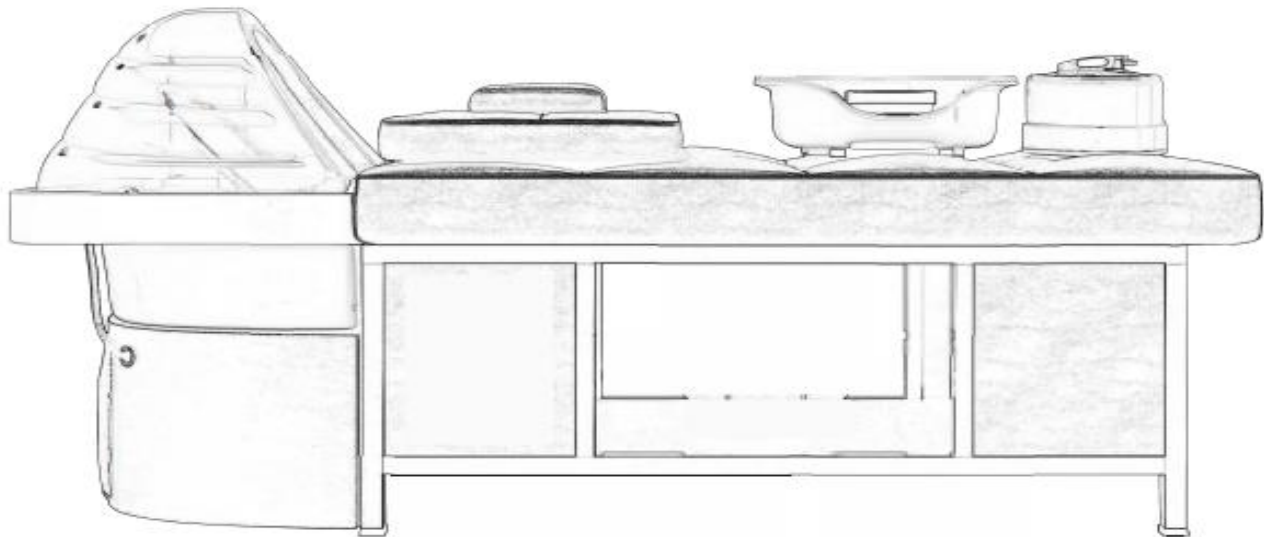




## **INSTRUCTION MANUAL**

**METRO / KENZO**

**HEAD SPA**



## **User Manual**

XSH-HSPA-006 / XSH-HSPA-14

## SAFETY STATEMENT

Thank you for choosing Dermalogic Head Spa. Dermalogic is an AYC's registered trademark for elegant and well-designed spa salon furnishings and appliances. We strive to bring quality, dependability and affordability when properly used.

PLEASE TAKE TIME TO READ THIS MANUAL THOROUGHLY BEFORE USE. If you have any questions or concerns with your head spa, please contact our customer service and technical support at 972-926-6488 ext. 2, Monday through Friday 9AM – 5PM or email us at [service@ayc LLC.com](mailto:service@ayc LLC.com).

## IMPORTANT REQUIREMENTS

The MFG requires that you contact your local, licensed plumber and licensed electrician to install your new head spa. Installation **MUST** follow all local and state building codes. Your head spa unit cannot operate efficiently or safely unless it is provided with adequate electrical power, sufficient water pressure, proper water temperature, and required drainage capabilities. Contact your local building inspector for information and local code compliance procedure that needs to be followed when having your new head spa installed. Subsequent inspections and approvals that may be required are the responsibility of the purchaser.

## SHIPMENT INSPECTION

Thoroughly inspect each shipment immediately upon arrival. It is very important that you notify the driver directly and note any damage or irregularities on the delivery receipt. Failure to note damage on the delivery receipt may prevent any claims you may have against the carrier.

If concealed loss or damage is found, you **MUST** report it to AYC within 72 hours of delivery and **DO NOT DISCARD THE SHIPPING CARTON**. Failure to do so constitutes acceptance of the shipment as-is and in good order and, additionally, waives any right to collect possible compensation from shipping claims.

## PRECAUTION

- DO NOT place or drop heavy objects in the basin.
- Excessive water temperature is dangerous and should be checked before use.
- The maximum water temperature should not exceed 40°C (104°F).
- Always get on and get off the spa bed slowly and carefully.
- Never bring or operate any electrical device near head spa bed.
- The unit has a weight capacity of 330 lbs.
- Please do not allow small children to use or play around the head spa bed.
- This content is for indoor use only. Disconnect the power supply cord before servicing and cleaning.

## HEALTH WARNING

Individuals who have the following conditions should avoid head spa treatment.

- Medical conditions, such as cancer, epilepsy, or heart-related conditions.
- Skin conditions, such as sunburn, cuts, abrasions, other skin damage on your scalp or undiagnosed lumps or bumps on your scalp.
- Allergic to products used in head spas.
- The technician should advise clients to consult their healthcare provider before the head spa treatment if pregnant, have recently had surgery, or have a chronic illness.

Ensure that the head spa unit maintains high standards of hygiene and sterilizes tools and equipment properly.

**If the client experiences any pain or discomfort, discontinue the head spa treatment immediately.**

## SPECIFICATIONS

- Model: XSH-HSPA-006 / XSH-HSPA-014
- Rated Output/Input Voltage: AC 110V-120V
- Water Circulation System Output: 800-1000 Watts
- Fumigation System Output: 1000 Watts
- IP (Ingress Protection) Level: X2
- Product Net Weight: 176lbs +-
- Materials: Metal Frame, Synthetic Leather, Ceramic Basin
- Basin Capacity: 30 Liters
- Fumigator Capacity: 2 Liters

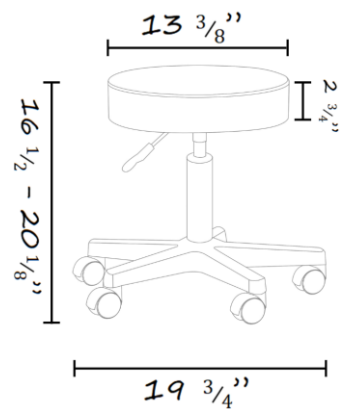
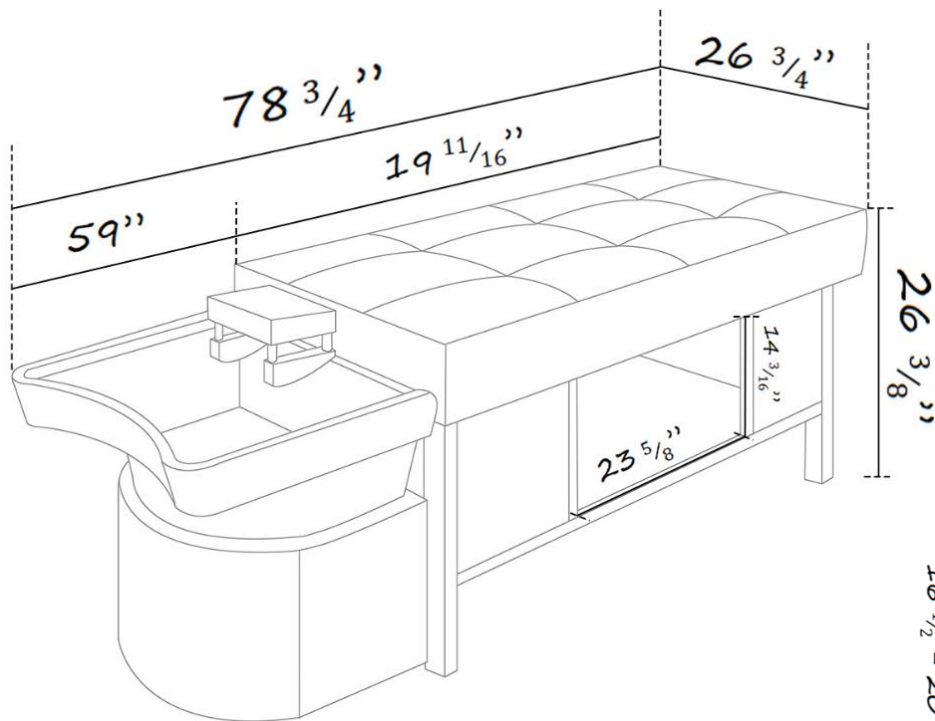
## HEAD SPA BED ACCESSORIES

- Hot/Cold Water Hose with 3/8" connection x 2
- Retractable Drainpipe x 1
- Rotatable Golden Arch with 22 Water Outlets x 1
- UPC Certified Faucet x 1
- UPC Certified Vacuum Breaker x 1
- Black Sprayer x 1
- Removable Bowl Cover x 1
- Adjustable Shampoo Bowl Headrest x 1
- Massage Table Pillow x 1
- Fumigation Kit (including fumigator, fumigator lid, fumigator hose & steam box) x 1
- Rolling Stool x 1

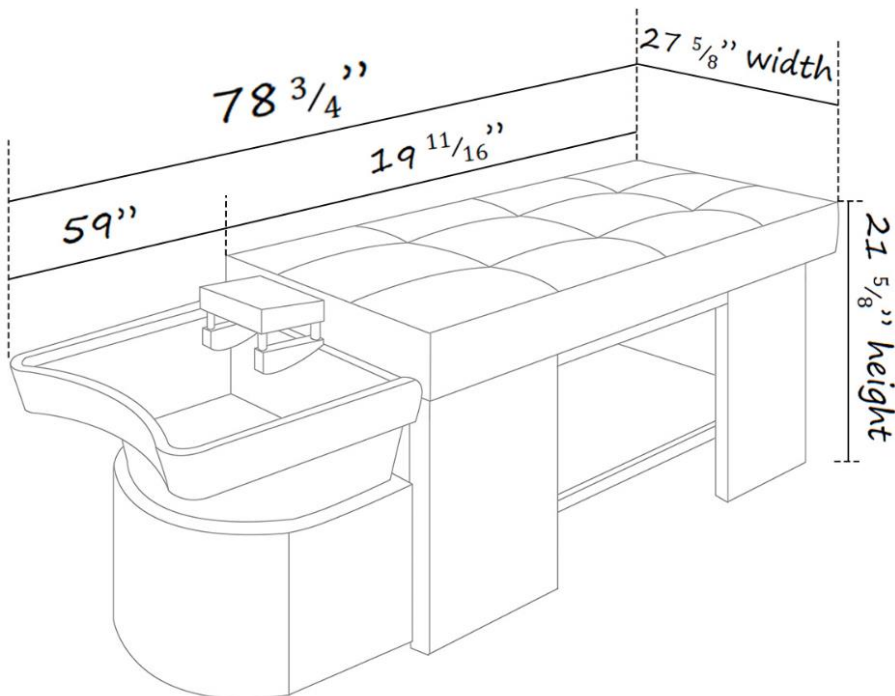
NOTE: Please check all the accessories that are contained after unpacking

# PRODUCT DIMENSIONS

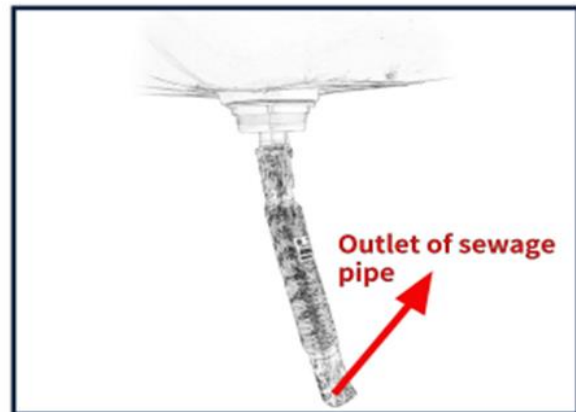
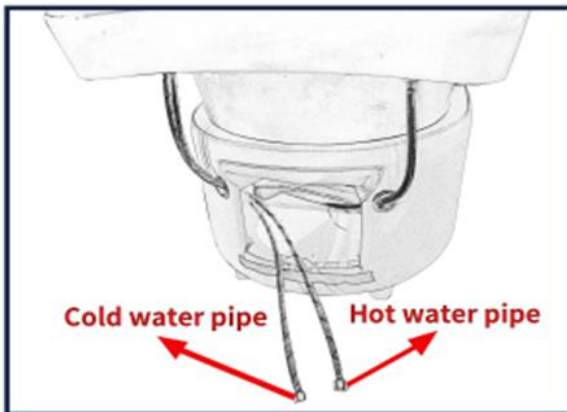
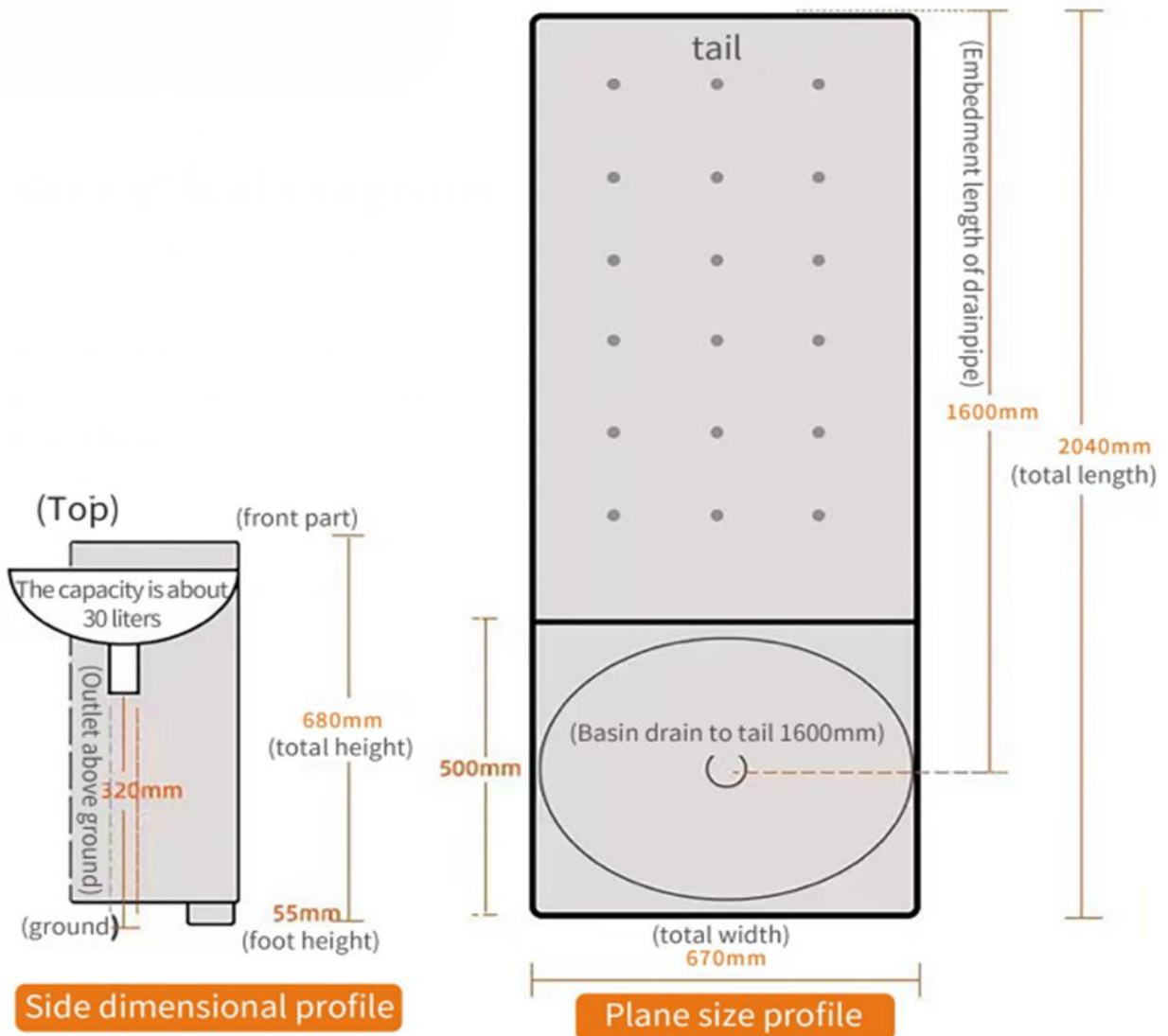
MODEL XSH-HSPA-006



MODEL XSH-HSPA-014



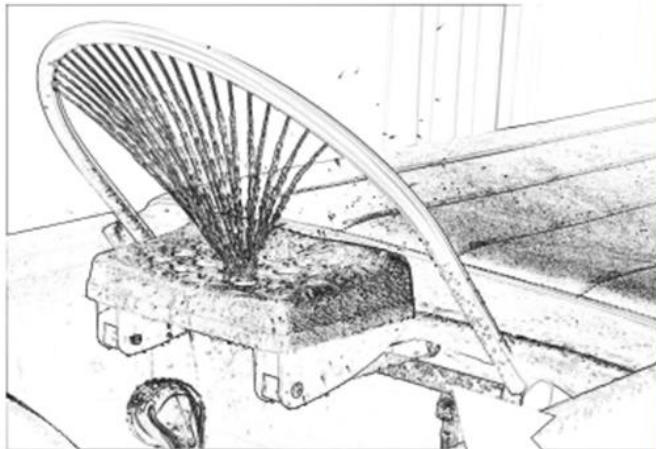
# DRAIN INSTALLATION DIAGRAM



# WATER CIRCULATION FUNCTION

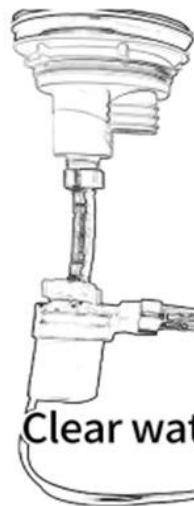
The water circulation function needs to be plugged in.

No additional installation is required for this function.

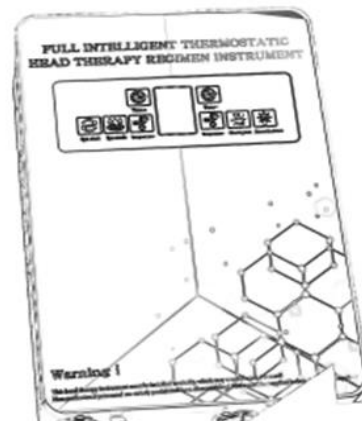


Circulating water shower

water in shampoo bowl

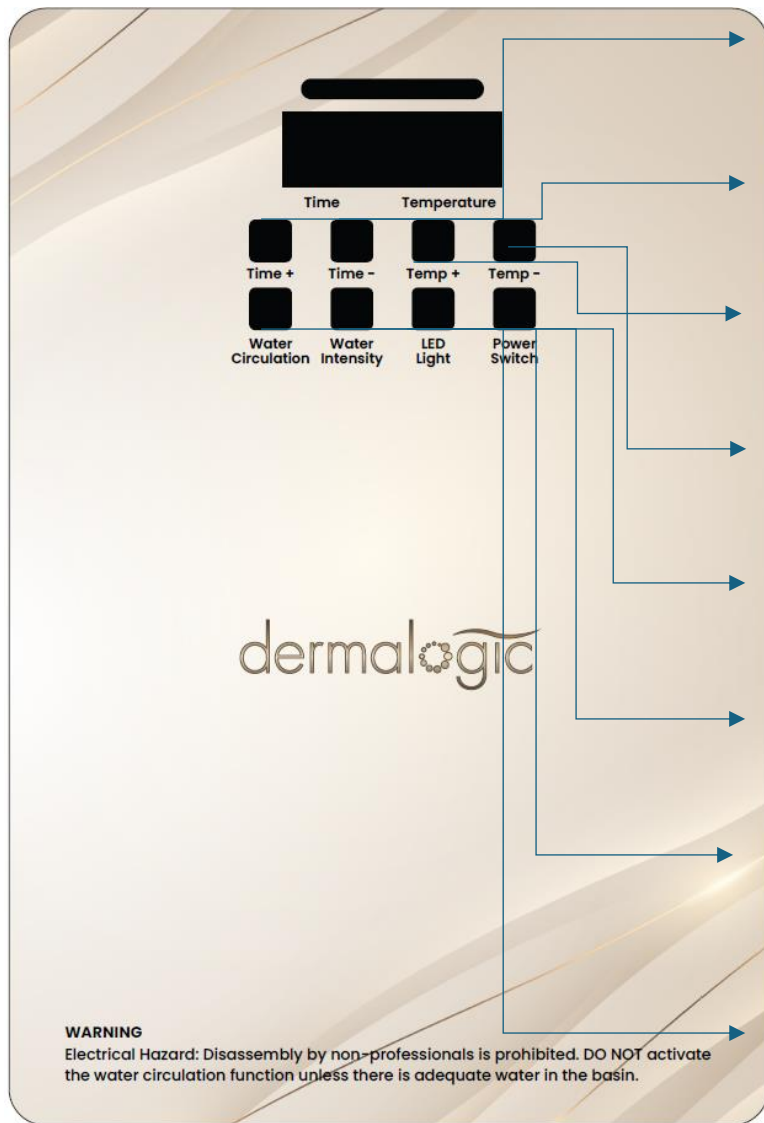


Clear water pump



Machine and control panel

# CONTROL PANEL



**Time+:**  
Increase time

**Time-:**  
Reduce time

**Temp+:**  
Turn up temperature

**Temp-:**  
Turn down temperature

**Power Switch:**  
Switch on/off

**LED Light:**  
Turn on/off Integrated LED light

**Water Intensity:**  
Control waterflow intensity:  
Low, Medium, High

**Water Circulation:**  
Turn on/off water circulation function

**WARNING:** DO NOT turn on the water circulation function unless adequate water is in the basin. Dry run will cause the machine failure. THE WARRANTY IS VOID IF THE MACHINE HAS BEEN RUNNING DRY.

## Troubleshooting

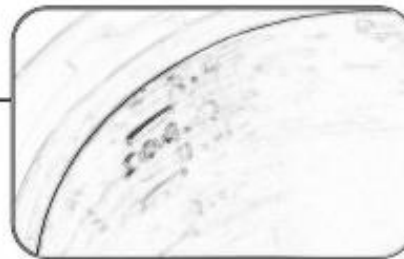
Water circulating machine not working or Black screen	Check whether the water pump is blocked and clean it in time
Waterflow intensity is too low	Check whether all the connecting pipes/hoses to the machine are bent
The machine will not work when the water temperature exceeds 50°C	Turn off the machine. Disconnect the power. Allow to cool down for 2 hours before using



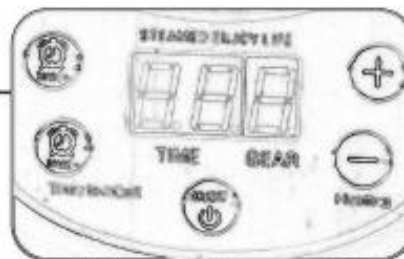
# FUMIGATION FUNCTION INSTRUCTIONS



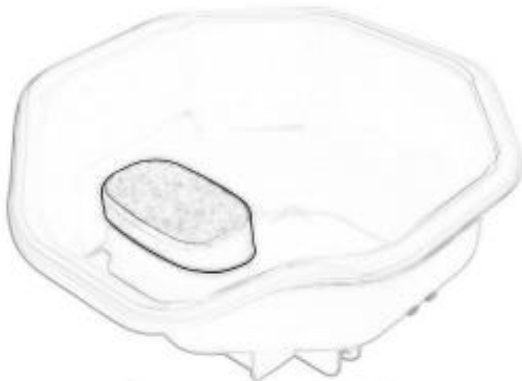
Fumigator\*1



2L liner capacity



Control panel



spa basin\*1



fumigation lid\*1

1. Plug in the fumigator (steamer)
2. Connect fumigation hose to the fumigator on one end and to the steam box on the other end.
3. Place the fumigation lid on the basin.
4. Turn on the fumigator for a period of time according to client's need.

NOTE: Keep a good distance of the steam box from client's head to prevent from burns.

# CLEANING & MAINTENANCE

## After Each Use:

1. **Remove Sprayer Head:** Detach the sprayer head from the sprayer hose.
2. **Remove the Filter:** Take out the filter from the water circulation hole.
3. **Position Sprayer Hose:** Insert the sprayer hose directly into the water circulation hole.
4. **Flush the System:** Turn on the faucet to maximum water pressure.
5. **Rinse Thoroughly:** Allow water to flow through the system for 30–60 seconds.

This routine helps maintain cleanliness and prevents blockages in the system.

---

## Weekly Cleaning:

1. **Prepare the Solution:**
  - Plug the drain of the shampoo bowl.
  - Add 2 cups of water to the bowl.
  - Mix in 2 oz. of descaling powder.
2. **Run the Circulation:**
  - Turn on the water circulation system.
  - Adjust water temperature to 46°C (114.8°F).
  - Let it run for 10 minutes.
3. **Drain the Bowl:** Turn off the water circulation system and drain the dirty water.
4. **Flush the System Again:**
  - Repeat steps 1–5 of the "After Each Use" process to flush the system thoroughly.

This routine will help maintain optimal performance and hygiene for your water circulation system.



[www.ayc.com](http://www.ayc.com)

[Sales@ayc.com](mailto:Sales@ayc.com)

972-623-6488

Garland, TX